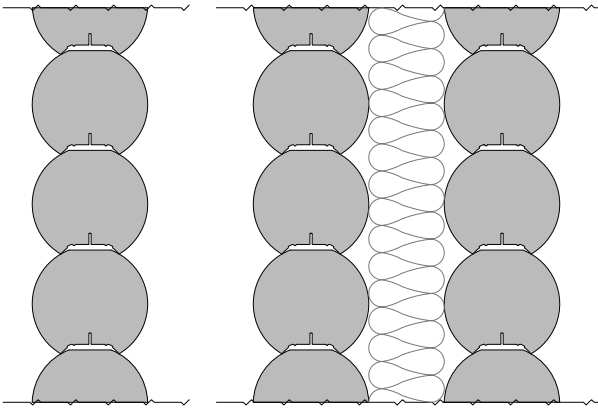
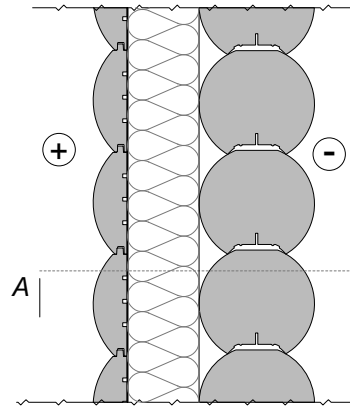


Double wall



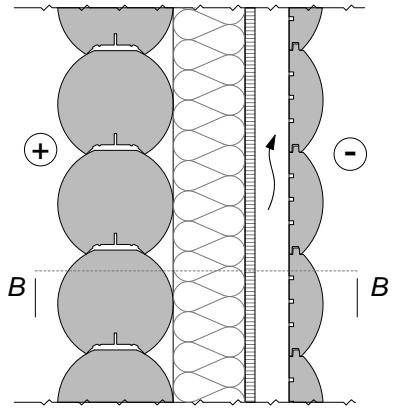
- Round log
- Round log
- Soojusisolatsioon
- Round log

Extra thermal insulation inside



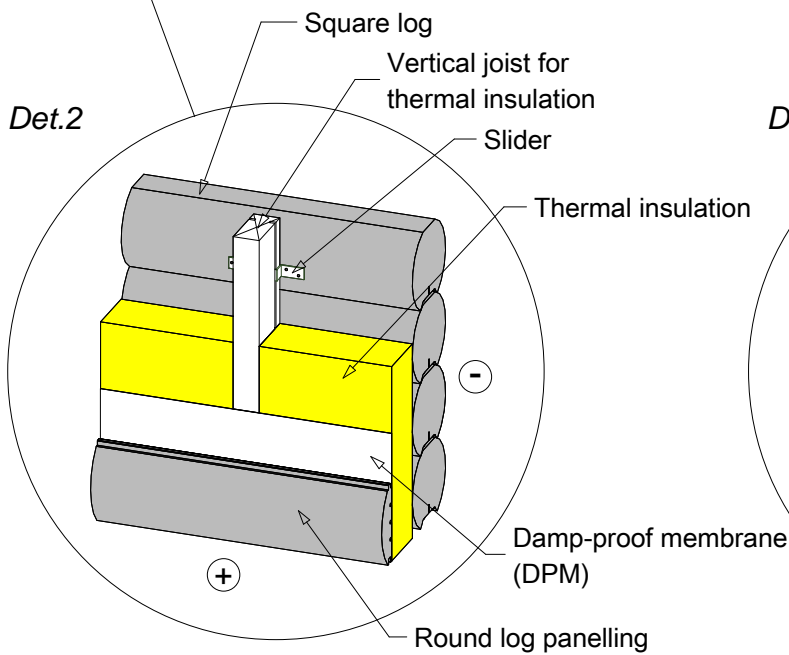
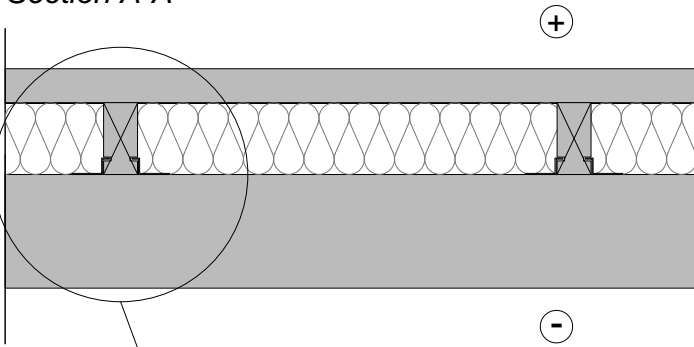
- Log panelling
- Damp-proof membrane (DPM)
- Thermal insulation
- Round log

Extra thermal insulation outside

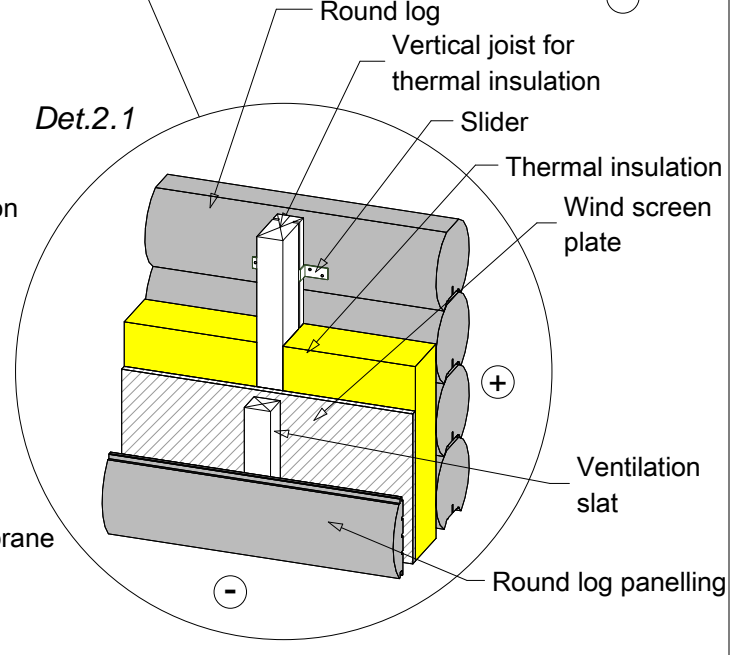
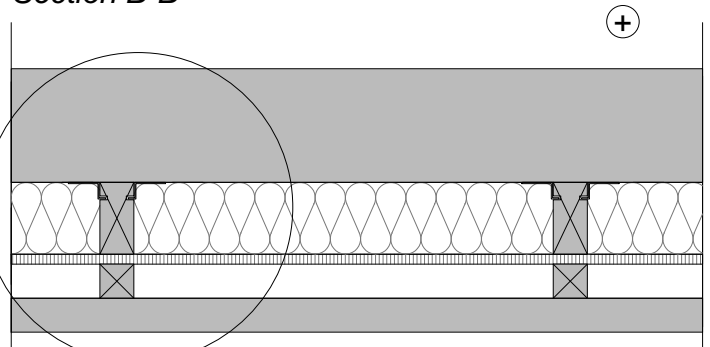


- Round log
- Thermal insulation
- Wind screen plate
- Ventilation slat
- Log panelling

Extra thermal insulation inside  
Section A-A



Extra thermal insulation outside  
Section B-B



Round log walls: Double wall; Round log walls with extra thermal insulation.

**WALLS**

Drawing code:	S2	Details:	Det.2 / Det.2.1
Date:	12/03/2010	Scale:	1:10